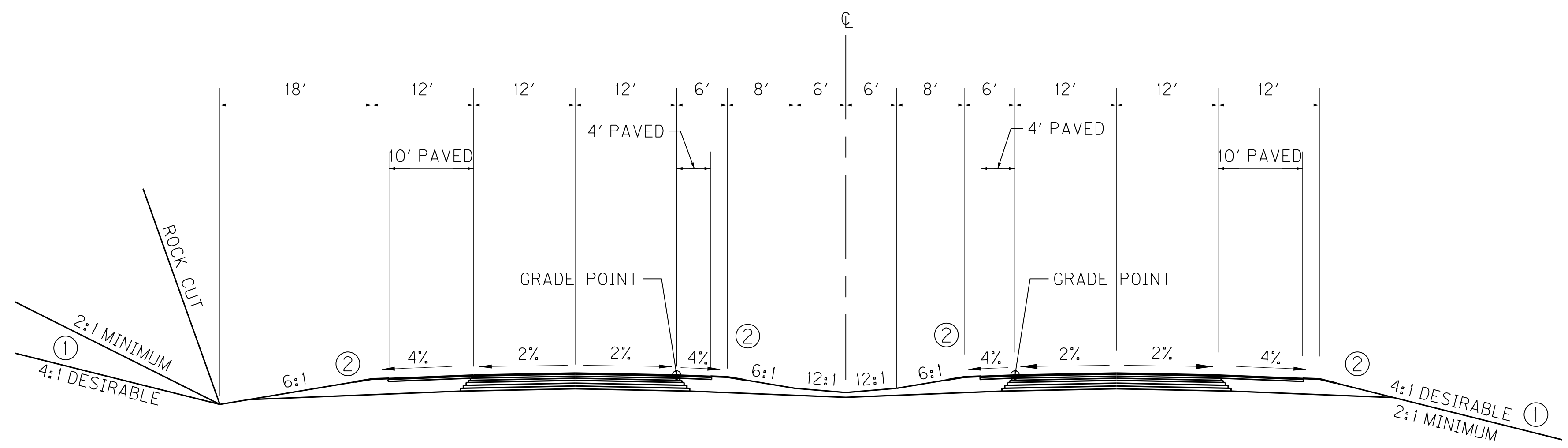


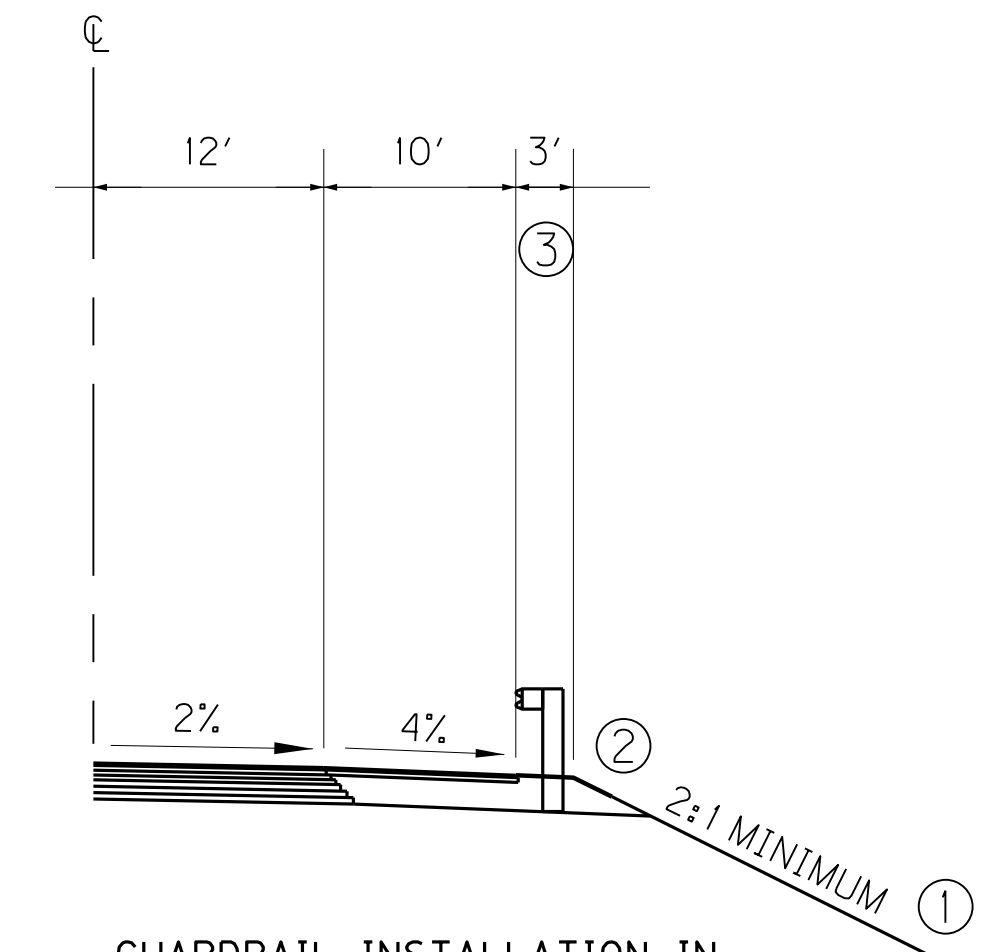
# TYPICAL SECTIONS

## U.S. 641

- ① SEE CROSS SECTIONS FOR SLOPES OUTSIDE THE LIMITS OF THE SHOULDERS.
- ② ASPHALT SEAL FOR SHOULDERS FROM OUTSIDE EDGE OF PAVEMENT TO A POINT 2' DOWN THE DITCH OR FILL SLOPE.
- ③ IN AREAS OF PROPOSED EMBANKMENT, WIDEN SHOULDER 1' WHERE GUARDRAIL IS REQUIRED.



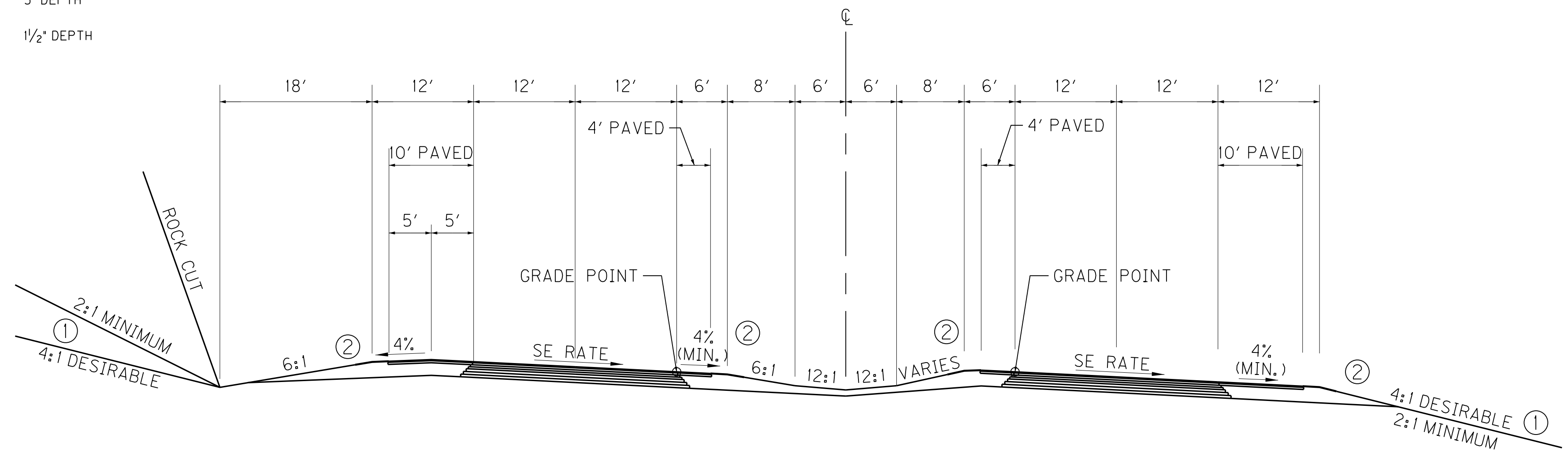
NORMAL SECTION



GUARDRAIL INSTALLATION IN PROPOSED EMBANKMENT AREAS

PAVEMENT (PRELIMINARY-USED FOR ESTIMATING PURPOSES ONLY)

<b>TRAFFIC LANES</b>		
APPROXIMATELY 21' BASE	DENSE GRADED AGGREGATE DRAINAGE BLANKET - TYPE II ASPH. CL 3 ASPH. BASE 1.00D PG64-22 CL 3 ASPH. BASE 1.00D PG76-22	4" DEPTH 4" DEPTH 10" DEPTH (4' + 3' + 3') 3" DEPTH
APPROXIMATELY 1/2' SURFACE	CL 3 ASPH. SURF. 0.5B PG76-22	1/2" DEPTH
<b>SHOULDER</b>		
FULL DEPTH BASE	DENSE GRADED AGGREGATE CL 2 ASPH. BASE 1.00D PG64-22	FULL DEPTH 3" DEPTH
APPROXIMATELY 1/2' SURFACE	CL 2 ASPH. SURF. 0.5D PG64-22	1/2" DEPTH



SUPERELEVATED SECTION

**NOTES:**

1.) ASPHALT SEAL FOR SHOULDERS SHALL CONSIST OF TWO APPLICATIONS OF THE FOLLOWING:

ASPHALT SEAL COAT — 2.40 LB./SQ. YD  
 ASPHALT SEAL AGGREGATE — 20 LB./SQ. YD.  
 (SIZE 8 OR 9M)

FILE NAME: J:\0601\ROADWAY\TYPICALS\TYPICALS\_PREFERRED.DGN  
 USER: mwirtzberger  
 DATE PLOTTED: May 10, 2021  
 E-SHEET NAME:  
 MicroStation v8.11.9.629

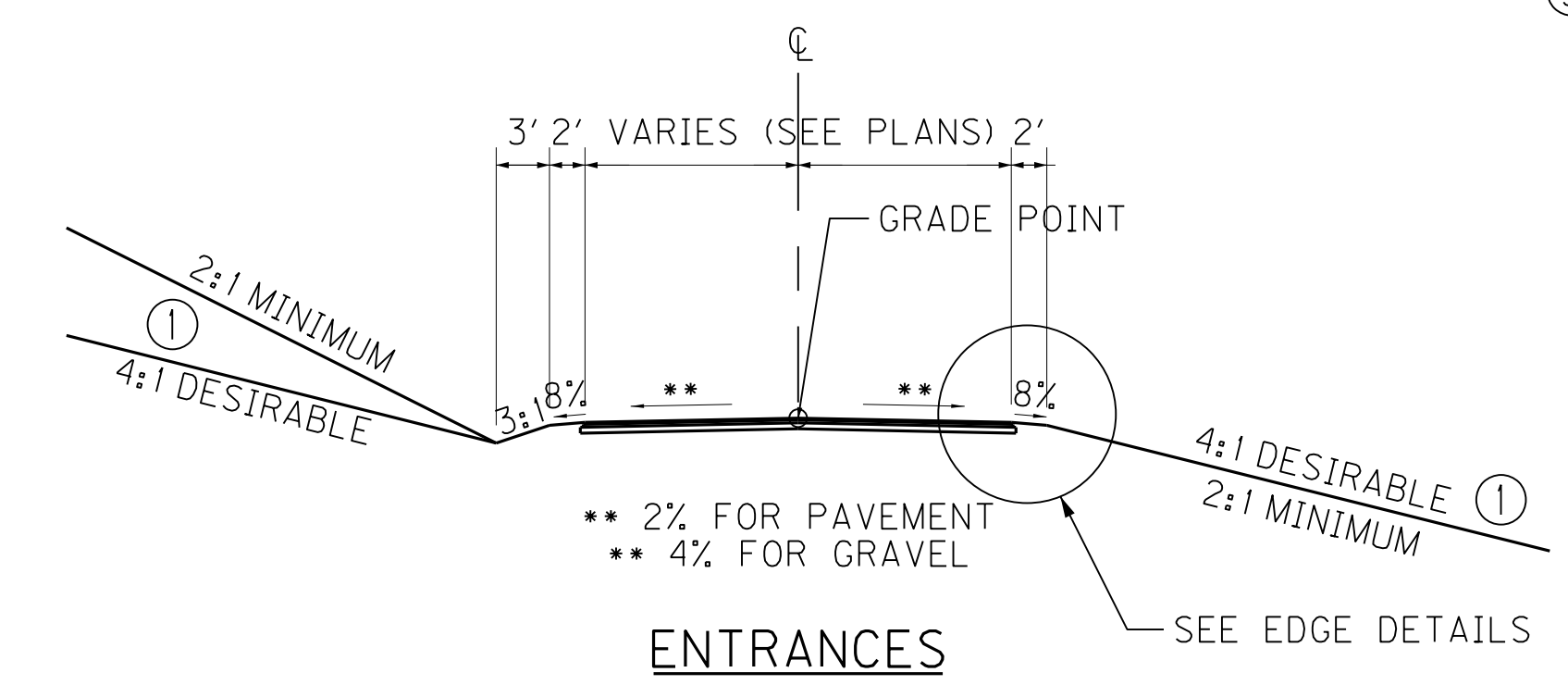
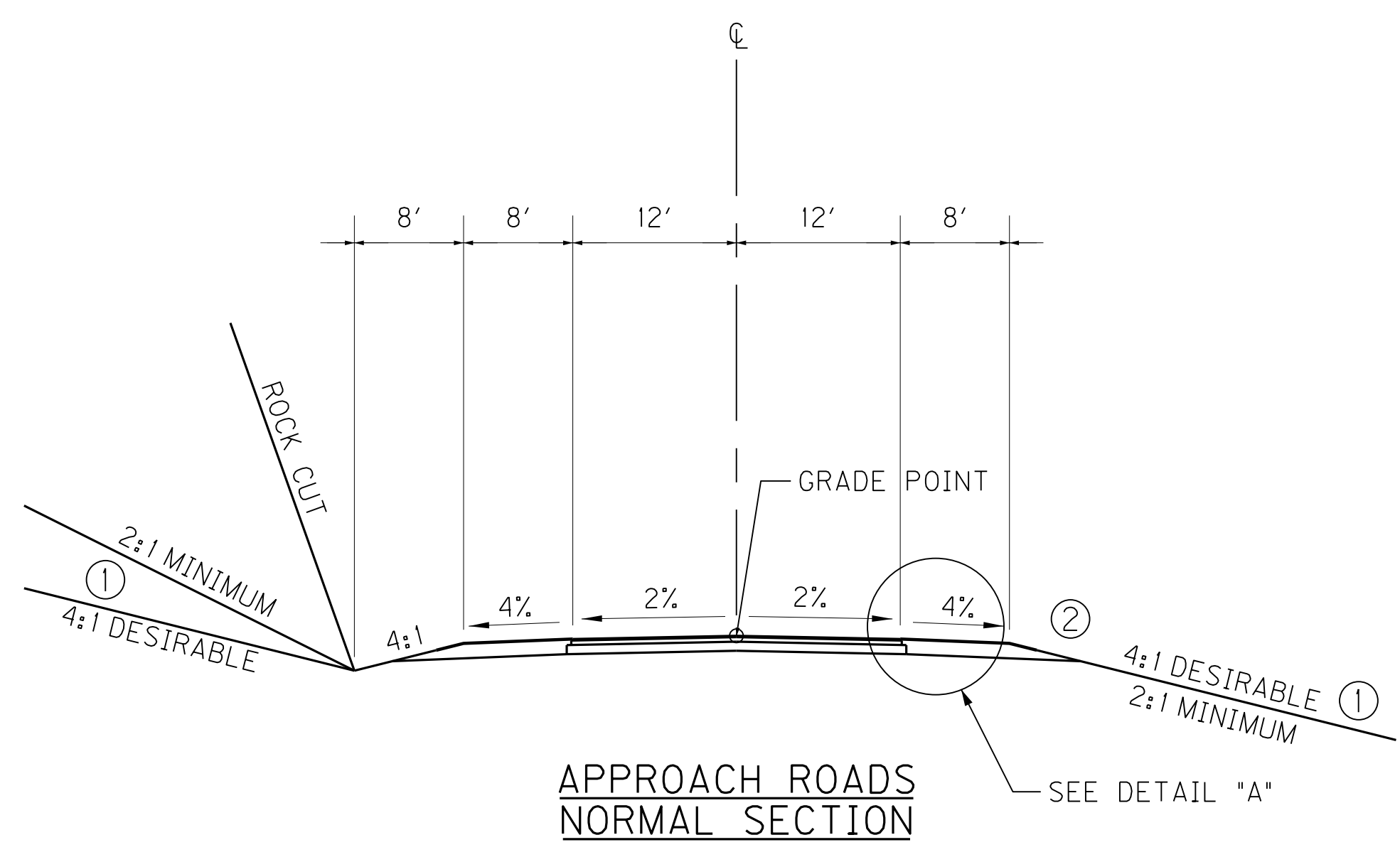
NOT TO SCALE

TYPICAL SECTIONS

# TYPICAL SECTIONS

## APPROACH ROADS & ENTRANCES

- ① SEE CROSS SECTIONS FOR SLOPES OUTSIDE THE LIMITS OF THE SHOULDERS.
- ② ASPHALT SEAL FOR SHOULDERS FROM OUTSIDE EDGE OF PAVEMENT TO A POINT 2' DOWN THE DITCH OR FILL SLOPE.
- ③ IN AREAS OF PROPOSED EMBANKMENT, WIDEN SHOULDER 1' WHERE GUARDRAIL IS REQUIRED.



PAVEMENT (PRELIMINARY-USED FOR ESTIMATING PURPOSES ONLY)

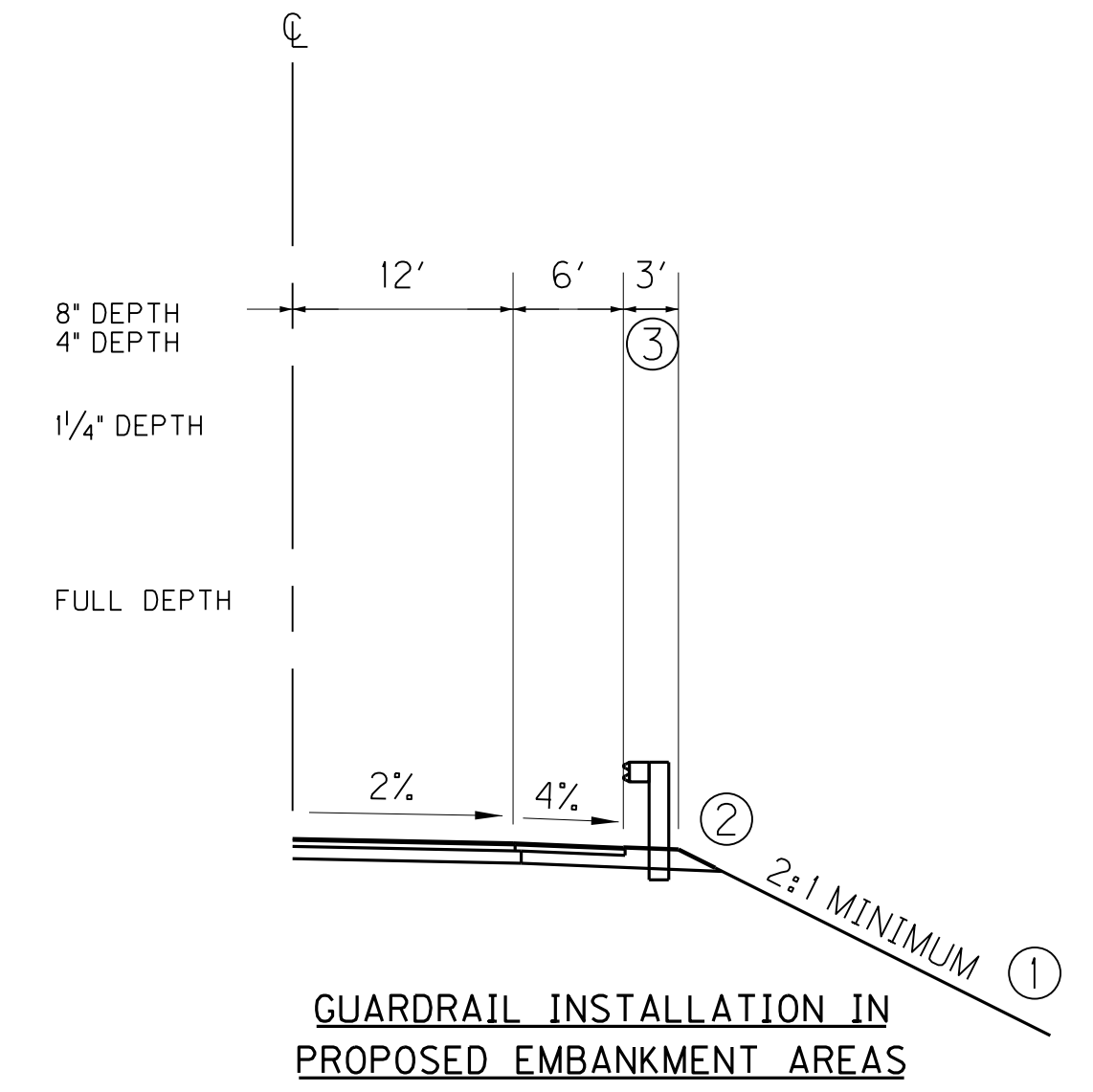
**TRAFFIC LANES**

APPROXIMATELY 12" BASE — DENSE GRADED AGGREGATE  
CL2 ASPH. BASE 0.75D PG64-22

APPROXIMATELY 1/4" SURFACE — CL2 ASPH. SURF. 0.38D PG64-22

**SHOULDER**

FULL DEPTH BASE — DENSE GRADED AGGREGATE



PAVEMENT (PRELIMINARY-USED FOR ESTIMATING PURPOSES ONLY)

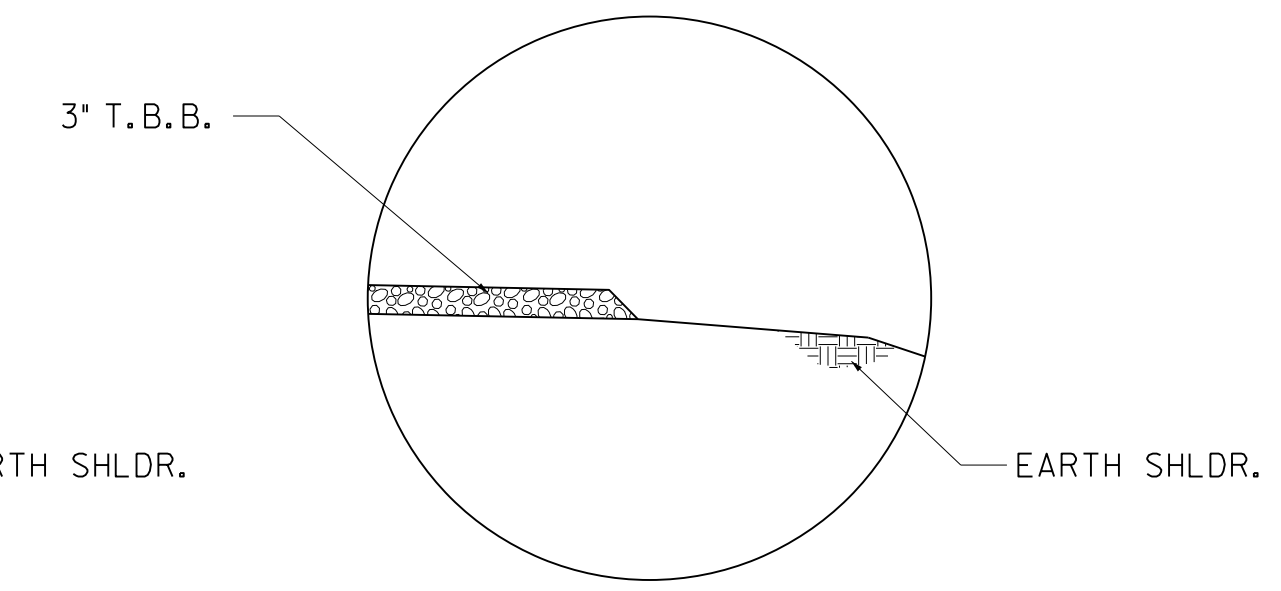
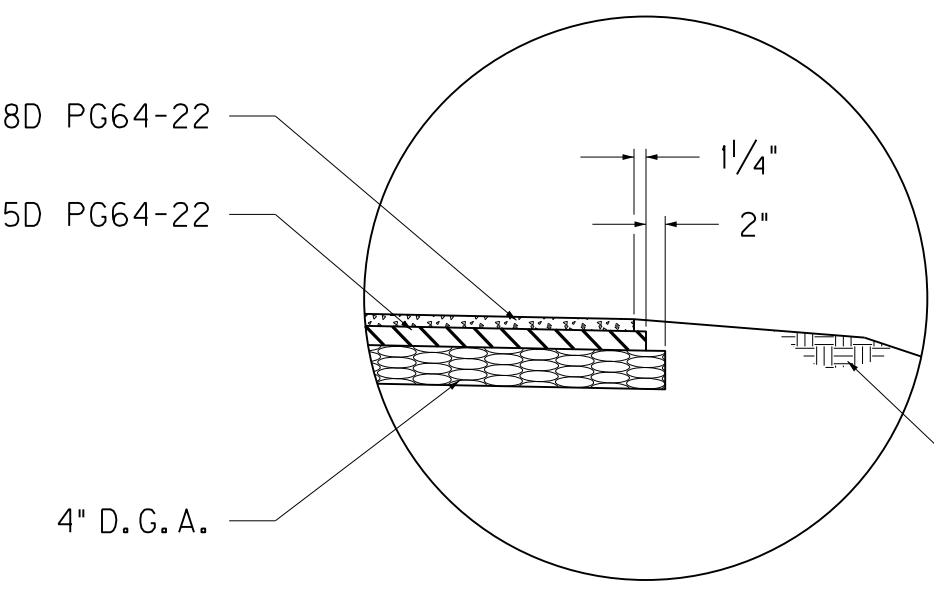
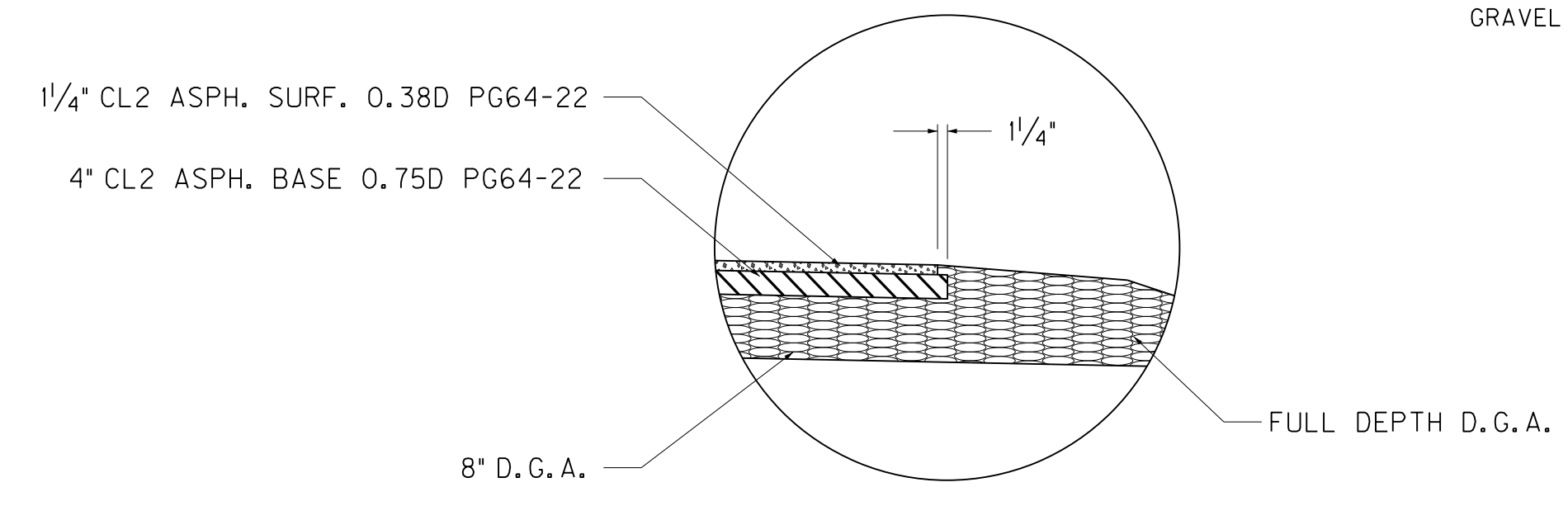
**ASPHALT ENTRANCE**

APPROXIMATELY 6" BASE — DENSE GRADED AGGREGATE  
CL2 ASPH. BASE 0.75D PG64-22 4" DEPTH

APPROXIMATELY 1/4" SURFACE — CL2 ASPH. SURF. 0.38D PG64-22 1/4" DEPTH

**GRAVEL ENTRANCE**

GRAVEL — TRAFFIC BOUND BASE 3" DEPTH



**NOTES:**

1.) ASPHALT SEAL FOR SHOULDERS SHALL CONSIST OF TWO APPLICATIONS OF THE FOLLOWING:

ASPHALT SEAL COAT — 2.40 LB./SQ. YD

ASPHALT SEAL AGGREGATE — 20 LB./SQ. YD.  
(SIZE 8 OR 9M)

FILE NAME: J:\0601\ROADWAY\TYPICALS\TYPICALS-PREFERRED.DGN  
 USER: mwirtzberger  
 DATE PLOTTED: May 10, 2021  
 E-SHEET NAME:  
 MicroStation v8.11.9.829

NOT TO SCALE

TYPICAL SECTIONS